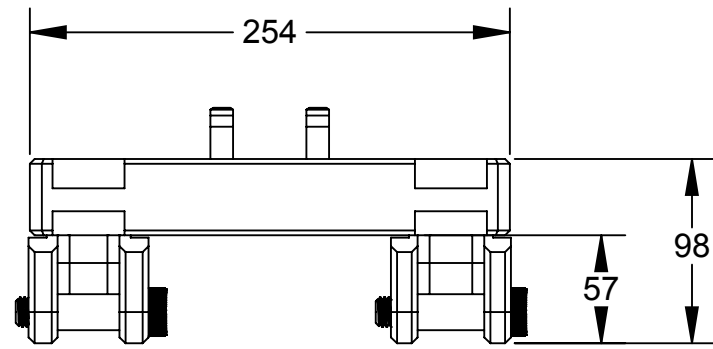
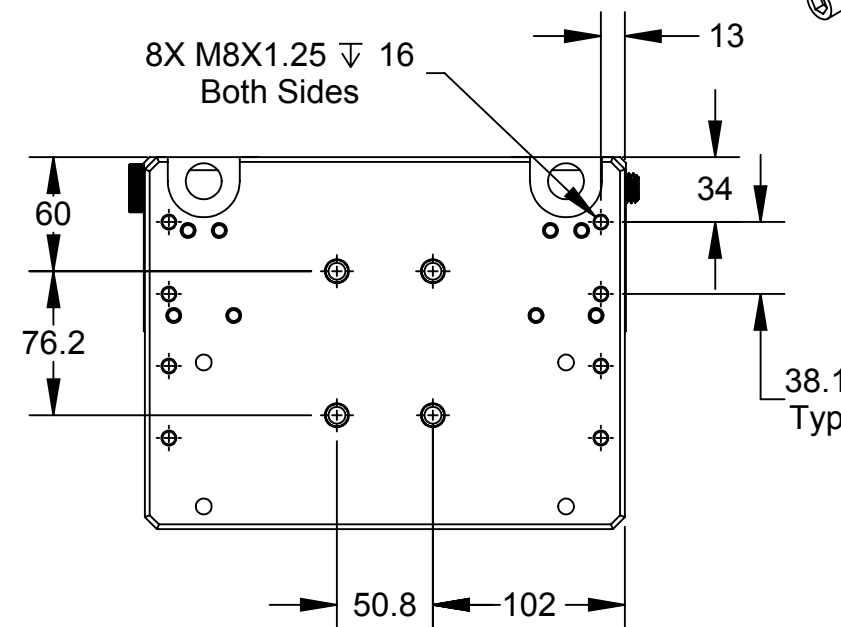
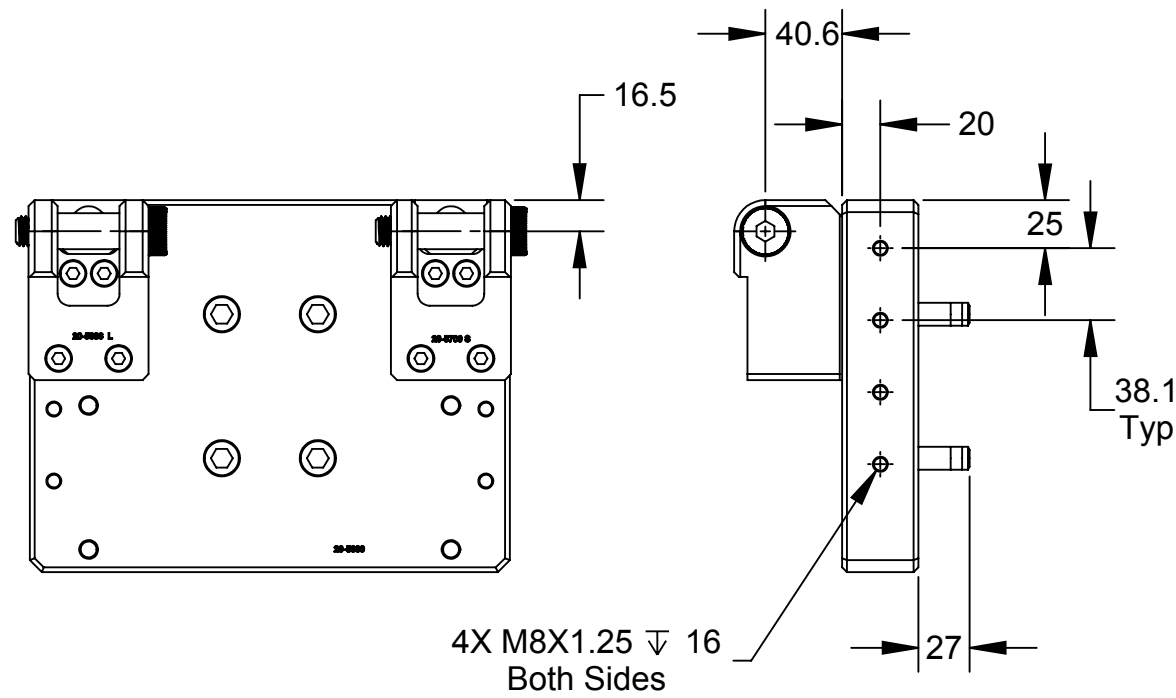
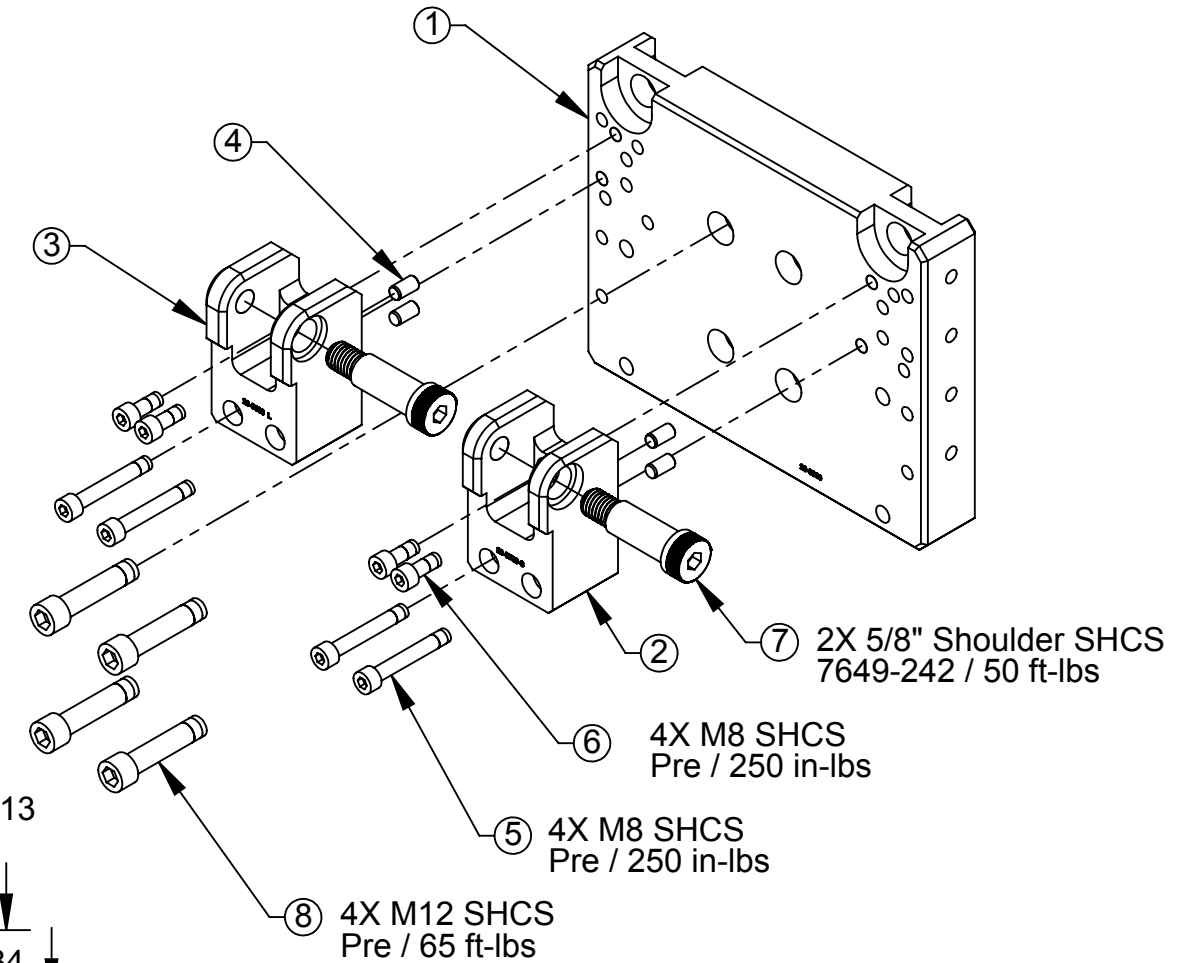


Rev.	Description	Initiator	Date
04	ECo 18027; Updated 242 to Pre for item 8.	MLS	9/25/2019



Serviceable Items			
ITEM NO.	QTY.	PART NUMBER	DESCRIPTION
7	2	3500-2035175-11	SHCS, 5/8-11, Shoulder 1-3/4 long x 3/4 Dia McMaster 91259A841



ITEM NO.	QTY.	PART NUMBER	DESCRIPTION
1	1	9120-TSL-RMH-R000	TSL Hook Module, Rigid

NOTES: UNLESS OTHERWISE SPECIFIED.

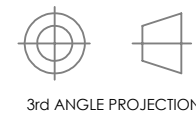
DO NOT SCALE DRAWING. ALL DIMENSIONS ARE IN MILLIMETERS.



1031 Goodworth Drive, Apex, NC 27539, USA
 Tel: +1.919.772.0115 Email: info@ati-ia.com
 Fax: +1.919.772.8259 www.ati-ia.com
 ISO 9001 Registered Company

PROPERTY OF ATI INDUSTRIAL AUTOMATION, INC. NOT TO BE REPRODUCED IN ANY MANNER EXCEPT ON ORDER OR WITH PRIOR WRITTEN AUTHORIZATION OF ATI.

- Notes:
 1. Assembly Weight: 15lbs.
 2. Serviceable component materials: Alloy Steel shoulder bolts.



3rd ANGLE PROJECTION

DRAWN BY: E. Donkor 12/19/2013		TITLE	
CHECKED BY: J. Winterroth, 1/14/14		TSL Hook Module, Rigid	
PROJECT # -	SHEET 1 OF 1	SCALE	SIZE
		1:4	B
DRAWING NUMBER		REVISION	
9630-20-TSL-RMH-R000		04	